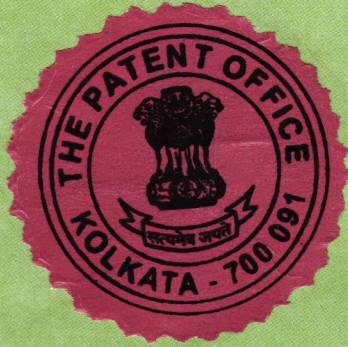


3.4.3: Number of Patents published/awarded during the last five years

Any additional information



ORIGINAL

No. 97487

सत्यमेव जयते
भारत सरकार
GOVERNMENT OF INDIA
पेटेंट कार्यालय
THE PATENT OFFICE

CERTIFICATE OF REGISTRATION OF DESIGN

Design No. 324828-001
Date 18/12/2019
Reciprocity Date*
Country

Certified that the design of which a copy is annexed hereto has been registered as of the number and date given above in class 13-99 in respect of the application of such design to SOLAR COLLECTOR in the name of 1. MARWADI UNIVERSITY, RAJKOT-MORBI HIGHWAY ROAD, GAURIDAD, RAJKOT, GUJARAT 360003 2. KARAN HIRALAL MOTWANI, JANTA HOUSE NO. 16, NEAR VINAY CINEMA, ADIPUR (KUTCH), GUJARAT - 370205 3. NIKHIL JAGJIVAN CHOTAI, TULSIPATRA, VANITYAWADI STREET NO. 8, NEAR JALARAM CHOWK, RAJKOT, GUJARAT - 360002 4. DR. JATINKUMAR RAVJIBHAI PATEL, 80, MAITRI AVENUE SOCIETY, RANDHEJA PATIA, VILLAGE RANDHEJA, GANDHINAGAR-382629, ET AL.

in pursuance of and subject to the provisions of the Designs Act, 2000 and the Designs Rules, 2001.

INTELLECTUAL
Controller General of Patents, Designs and Trade Marks

PROPERTY INDIA

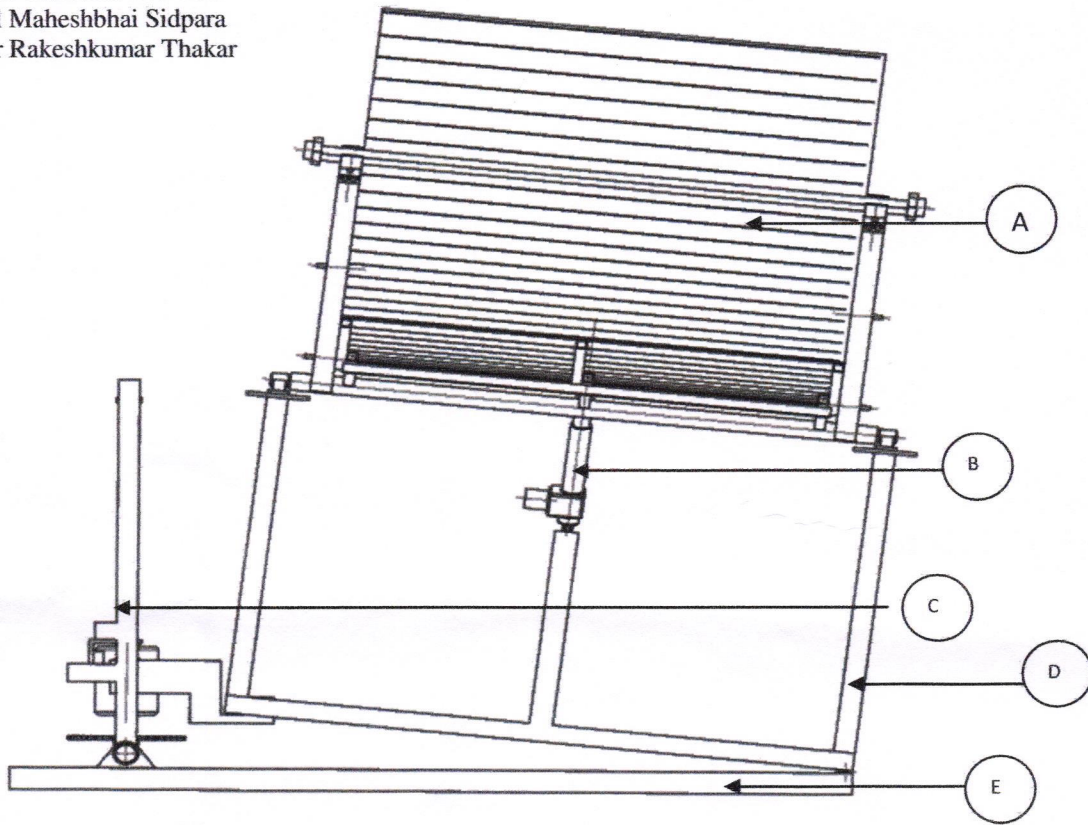
*The reciprocity date (if any) which has been allowed and the name of the country.

Copyright in the design will subsist for ten years from the date of Registration, and may under the terms of the Act and Rules, be extended for a further period of five years.

This Certificate is not for use in legal proceedings or for obtaining registration abroad

MARWADI UNIVERSITY,
RAJKOT-MORBI HIGHWAY ROAD, GAURIDAD,
RAJKOT, GUJARAT 360003 INDIA

Date of Issue 13/04/2021 12:43:44



FRONT VIEW

We Claim that:

The novelty resides in the shape and configuration particularly in the portion (A), (B), (C), (D), (E), in Sheet 1, (F), (G) of Sheet 3 and (H) of Sheet 5 of the "SOLAR COLLECTOR" as illustrated

No claim is made by virtue of this registration in respect of any mechanical or other action of any mechanism whatever or in respect of any mode or principle of construction of the Article

No claim is made by virtue of this registration to any right to the exclusive use of the words, letters, numbers, Color, or trademarks appearing in the representation.

Dated :03 August 2020

For, (Applicant)

MARWADI UNIVERSITY
Naresh Dilawarsinh Jadeja | Registrar

Karan Hiralal Motwani

Nikhil Jagjivan Chotai

Dr. Jatinkumar Ravjibhai Patel

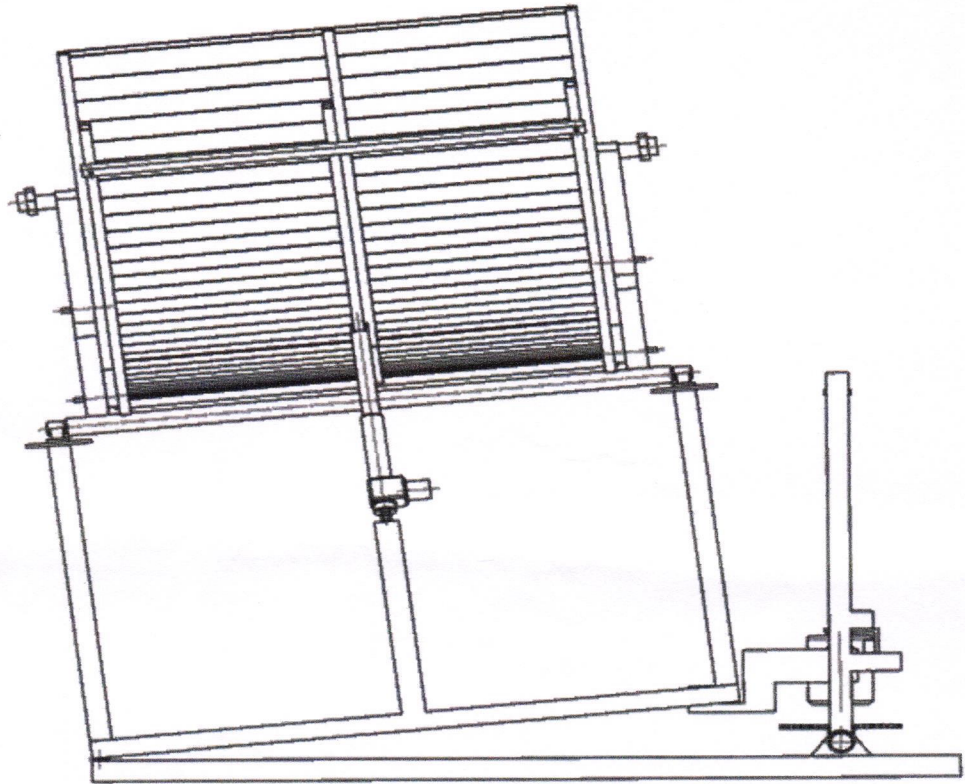
Gaurav Lalitbhai Vithalani

Akhil Maheshbhai Sidpara

Mihir Rakeshkumar Thakar

324828-001

18 DEC 2019



REAR VIEW

We Claim that:

The novelty resides in the shape and configuration particularly in the portion (A), (B), (C), (D), (E), in Sheet 1, (F), (G) of Sheet 3 and (H) of Sheet 5 of the "SOLAR COLLECTOR" as illustrated

No claim is made by virtue of this registration in respect of any mechanical or other action of any mechanism whatever or in respect of any mode or principle of construction of the Article

No claim is made by virtue of this registration to any right to the exclusive use of the words, letters, numbers, Color, or trademarks appearing in the representation.

Dated :03 August 2020

For, (Applicant)

Signature

MARWADI UNIVERSITY
Naresh Dilawarsinh Jadeja | Registrar

Karan Hiralal Motwani

Karan H

Nikhil Jagjivan Chotai

Dr.

Dr. Jatinkumar Ravjibhai Patel

JR Patel

Gaurav Lalitbhai Vithalani

Gaurav

Akhil Maheshbhai Sidpara

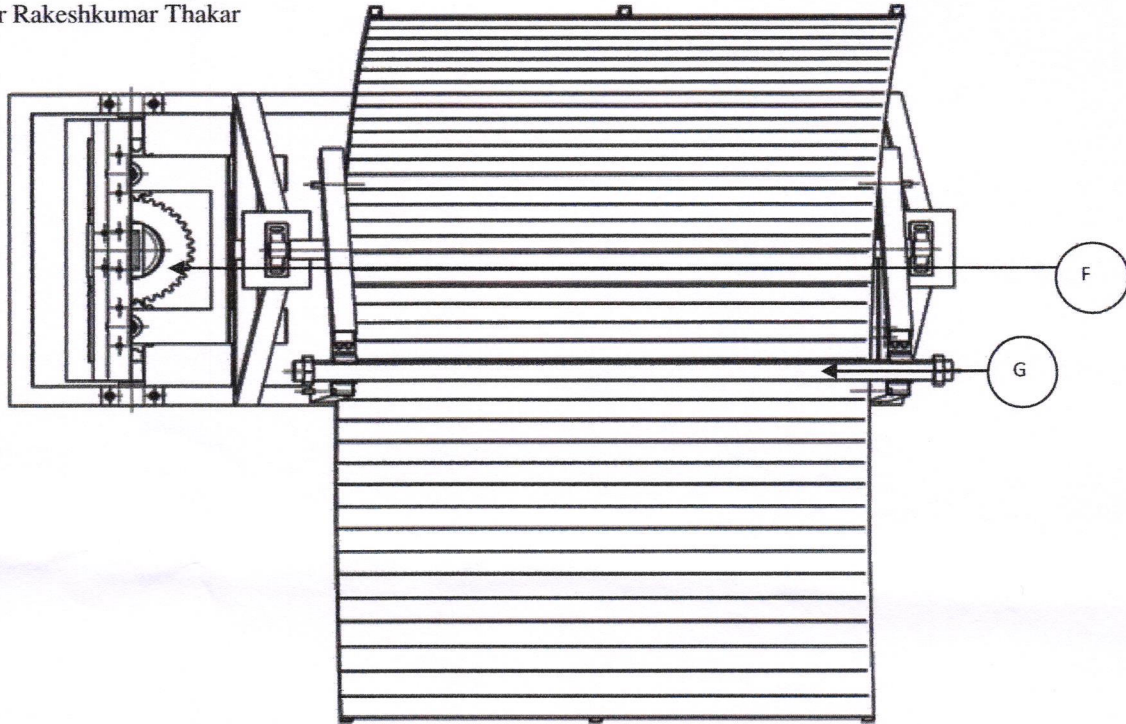
Akhil Sidpara

Mihir Rakeshkumar Thakar

Mihir

324828-001

18 DEC 2019



TOP VIEW

We Claim that:

The novelty resides in the shape and configuration particularly in the portion (A), (B), (C), (D), (E), in Sheet 1, (F), (G) of Sheet 3 and (H) of Sheet 5 of the "SOLAR COLLECTOR" as illustrated

No claim is made by virtue of this registration in respect of any mechanical or other action of any mechanism whatever or in respect of any mode or principle of construction of the Article

No claim is made by virtue of this registration to any right to the exclusive use of the words, letters, numbers, Color, or trademarks appearing in the representation.

Dated :03 August 2020

For, (Applicant)

MARWADI UNIVERSITY
Naresh Dilawarsinh Jadeja | Registrar

Karan Hiralal Motwani

Nikhil Jagjivan Chotai

Dr. Jatinkumar Ravjibhai Patel

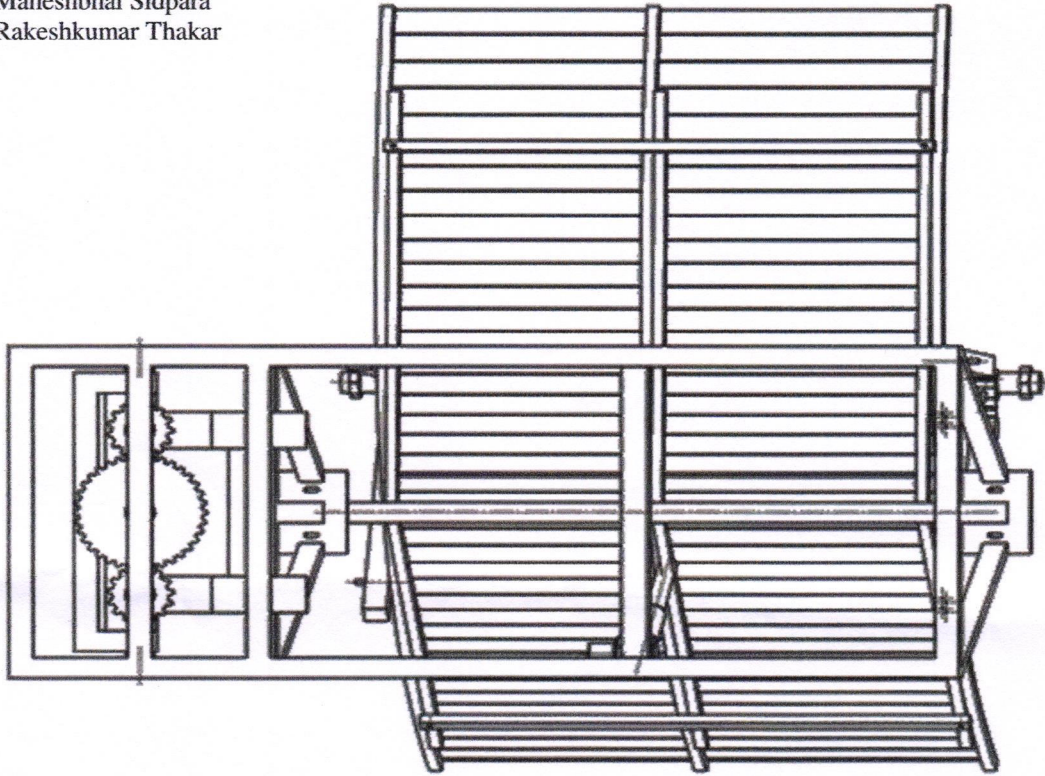
Gaurav Lalitbhai Vithalani

Akhil Maheshbhai Sidpara

Mihir Rakeshkumar Thakar

324828 - 61

18 DEC 2019



BOTTOM VIEW

We Claim that:

The novelty resides in the shape and configuration particularly in the portion (A), (B), (C), (D), (E), in Sheet 1, (F), (G) of Sheet 3 and (H) of Sheet 5 of the “**SOLAR COLLECTOR**” as illustrated

No claim is made by virtue of this registration in respect of any mechanical or other action of any mechanism whatever or in respect of any mode or principle of construction of the Article

No claim is made by virtue of this registration to any right to the exclusive use of the words, letters, numbers, Color, or trademarks appearing in the representation.

Dated :03 August 2020

For, (Applicant)

nyastay
MARWADI UNIVERSITY
Naresh Dilawarsinh Jadeja | Registrar

Karan H
Karan Hiralal Motwani

Dr.
Nikhil Jagjivan Chotai

JR Patel
Dr. Jatinkumar Ravjibhai Patel

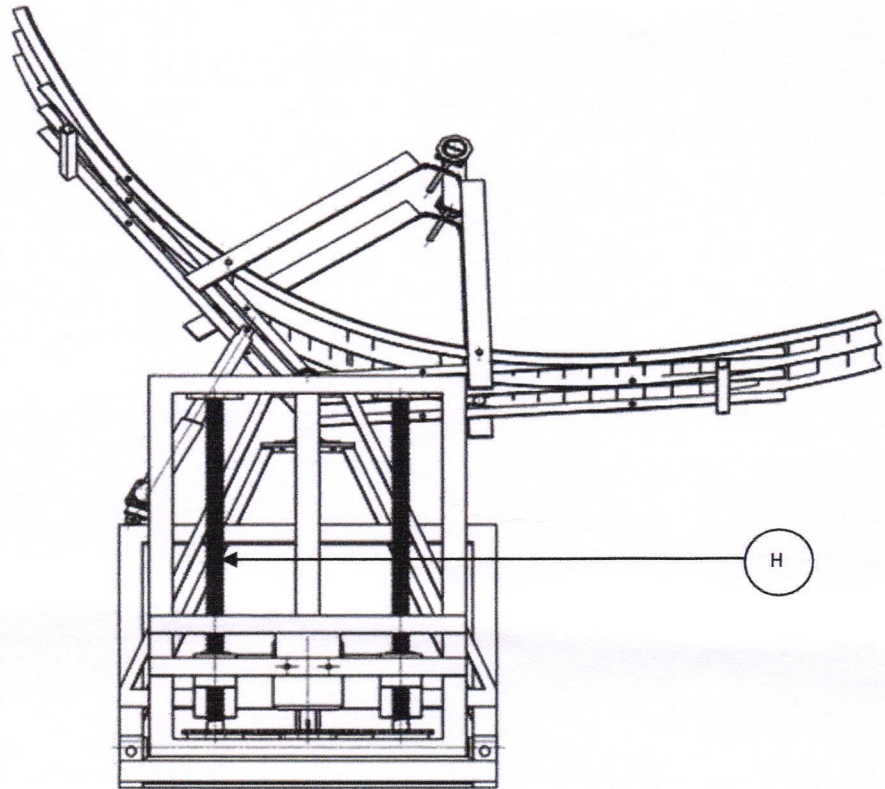
Gaurav
Gaurav Lalitbhai Vithalani

Akhil Sidpara
Akhil Maheshbhai Sidpara

Mihir
Mihir Rakeshkumar Thakar

324828 - 001

18 DEC 2019



LEFT VIEW

We Claim that:

The novelty resides in the shape and configuration particularly in the portion (A), (B), (C), (D), (E), in Sheet 1, (F), (G) of Sheet 3 and (H) of Sheet 5 of the "SOLAR COLLECTOR" as illustrated

No claim is made by virtue of this registration in respect of any mechanical or other action of any mechanism whatever or in respect of any mode or principle of construction of the Article

No claim is made by virtue of this registration to any right to the exclusive use of the words, letters, numbers, Color, or trademarks appearing in the representation.

Dated :03 August 2020

For, (Applicant)

nyastay
MARWADI UNIVERSITY
Naresh Dilawarsinh Jadeja | Registrar

Karan H
Karan Hiralal Motwani

Dr.
Nikhil Jagjivan Chotai

J.P. Patel
Dr. Jatinkumar Ravjibhai Patel

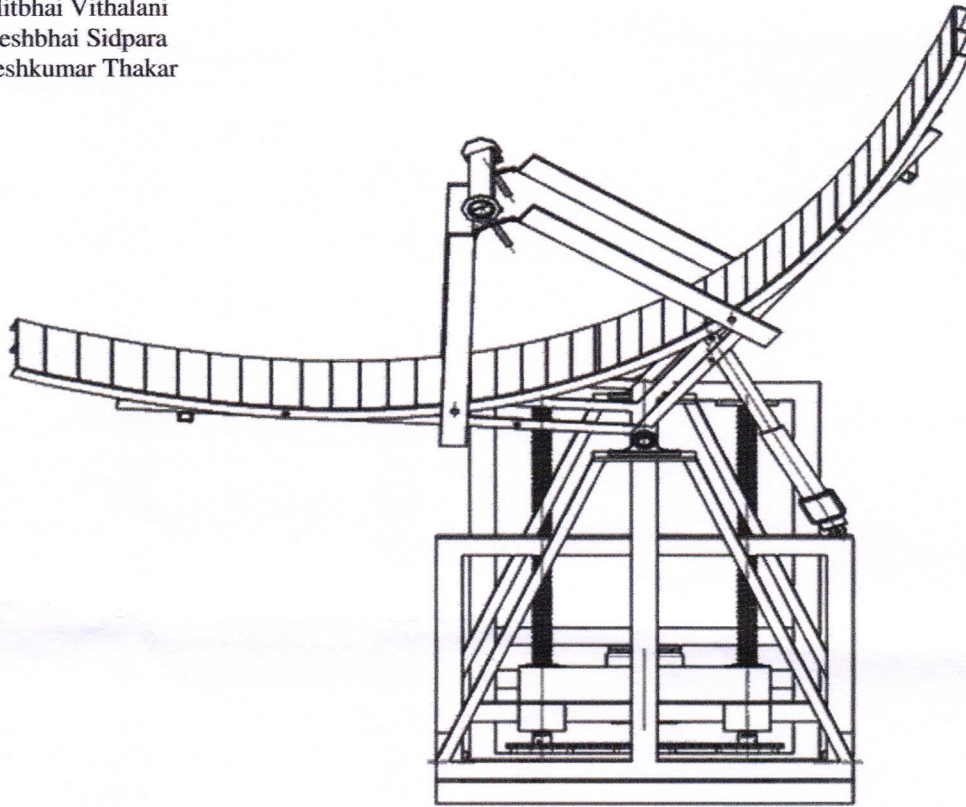
Gaurav
Gaurav Lalitbhai Vithalani

Akhil Sidpara
Akhil Maheshbhai Sidpara

Mihir
Mihir Rakeshkumar Thakar

324828-001

18 DEC 2019



RIGHT VIEW

We Claim that:

The novelty resides in the shape and configuration particularly in the portion (A), (B), (C), (D), (E), in Sheet 1, (F), (G) of Sheet 3 and (H) of Sheet 5 of the “**SOLAR COLLECTOR**” as illustrated

No claim is made by virtue of this registration in respect of any mechanical or other action of any mechanism whatever or in respect of any mode or principle of construction of the Article

No claim is made by virtue of this registration to any right to the exclusive use of the words, letters, numbers, Color, or trademarks appearing in the representation.

Dated :03 August 2020

For, (Applicant)

**MARWADI UNIVERSITY
Naresh Dilawarsinh Jadeja | Registrar**

Karan Hiralal Motwani

Nikhil Jagjivan Chotai

Dr. Jatinkumar Ravjibhai Patel

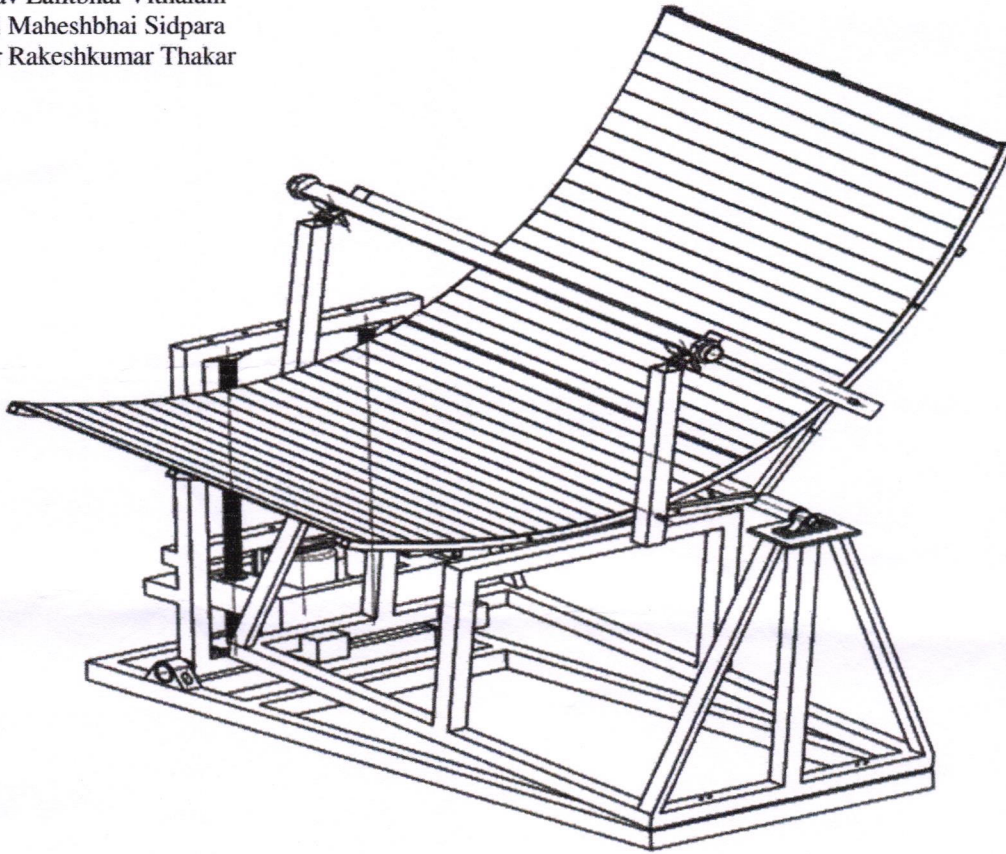
Gaurav Lalitbhai Vithalani

Akhil Maheshbhai Sidpara

Mihir Rakeshkumar Thakar

324828-001

18 DEC 2019



PERSPECTIVE VIEW

We Claim that:

The novelty resides in the shape and configuration particularly in the portion (A), (B), (C), (D), (E), in Sheet 1, (F), (G) of Sheet 3 and (H) of Sheet 5 of the “**SOLAR COLLECTOR**” as illustrated

No claim is made by virtue of this registration in respect of any mechanical or other action of any mechanism whatever or in respect of any mode or principle of construction of the Article

No claim is made by virtue of this registration to any right to the exclusive use of the words, letters, numbers, Color, or trademarks appearing in the representation.

Dated :03 August 2020

For, (Applicant)

MARWADI UNIVERSITY
Naresh Dilawarsinh Jadeja | Registrar

Karan Hiralal Motwani

Nikhil Jagjivan Chotai

Dr. Jatinkumar Ravjibhai Patel

Gaurav Lalitbhai Vithalani

Akhil Maheshbhai Sidpara

Mihir Rakeshkumar Thakar

324828-001

18 DEC 2019



Office of the Controller General of Patents, Designs & Trade Marks
 Department of Industrial Policy & Promotion,
 Ministry of Commerce & Industry,
 Government of India

(<http://ipindia.nic.in/index.htm>)



(<http://ipindia.nic.in/index.htm>)

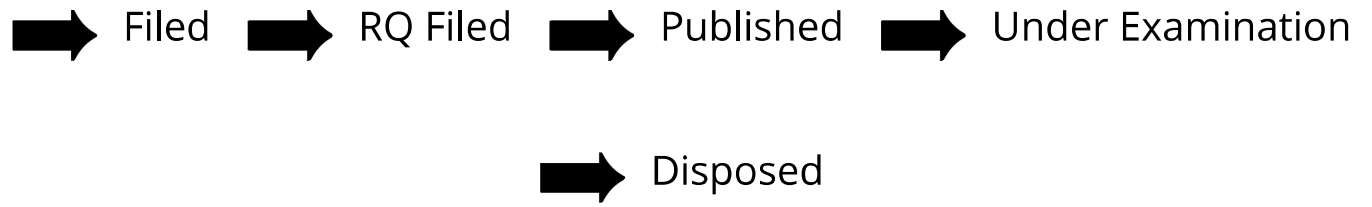
Application Details

APPLICATION NUMBER	202021018663
APPLICATION TYPE	ORDINARY APPLICATION
DATE OF FILING	01/05/2020
APPLICANT NAME	MARWADI UNIVERSITY
TITLE OF INVENTION	A DEVICE TO MEASURE SHELL PERMEABILITY DURING INVESTMENT CASTING PROCESS.
FIELD OF INVENTION	METALLURGY
E-MAIL (As Per Record)	registrar@marwadieducation.edu.in
ADDITIONAL-EMAIL (As Per Record)	ameetsata2000@gmail.com
E-MAIL (UPDATED Online)	
PRIORITY DATE	
REQUEST FOR EXAMINATION DATE	16/02/2022
PUBLICATION DATE (U/S 11A)	24/06/2022

Application Status

APPLICATION STATUS	Application referred u/s 12 for examination.
--------------------	---

[View Documents](#)



In case of any discrepancy in status, kindly contact ipo-helpdesk@nic.in



Australian Government

IP Australia

CERTIFICATE OF GRANT INNOVATION PATENT

Patent number: 2021101577

The Commissioner of Patents has granted the above patent on 5 May 2021, and certifies that the below particulars have been registered in the Register of Patents.

Name and address of patentee(s):

Gaurav Dhiman of Asst. Prof., Dept. of Computer Science, Government Bikram College of Commerce Patiala Punjab 147001 India

Sumegh Tharewal of Assistant Professor, Dept. of Computer Applications, Manipal University Jaipur 303007 India

Ajay K.S. Singholi of Professor, Mechanical & Automation Engg., G.B. Pant Engineering College Delhi 110020 India

Ihtiram Raza Khan of Assistant Professor, Department of Computer Science, Jamia Hamdard Delhi India

Mohammed Waseem Ashfaque of Lecture, Dept. of Information technology, Buraimi University College (BUC) Al-Buraimi Oman

Soumi Dutta of Associate Professor, Institute of Engineering & Management, Computer Science and Application Kolkata 700091 India

Sunny Ganavdiya of Assistant Professor, BMED, Shri.Govindram Seksaria Institute of Tec, & Science Indore 452003 India

Senthilkumar Subramanian of Research Scholar, Dept. of Electrical & Electronics Engg., College of Engineering, Anna University Chennai 600025 India

Shikha Agrawal of Associate professor, Dept. of Computer Science & Engg., University Institute of Technology, RGPV BHOPAL Madhya Pradesh 462033 India

Munindra Lunagaria of Assistant professor, Computer Engineering Department, Marwadi University Rajkot-Morbi Road, Rajkot Gujarat 360003 India

Title of invention:

AN IOT BASED SYSTEM FOR EMERGENCY HEALTHCARE

Name of inventor(s):

Dhiman, Gaurav; Tharewal, Sumegh; Singholi, Ajay K. S.; Khan, Ihtiram Raza; Ashfaque, Mohammed Waseem; Dutta, Soumi; Ganavdiya, Sunny; Subramanian, Senthilkumar; Agrawal, Shikha and Lunagaria, Munindra

Term of Patent:

Eight years from 27 March 2021

NOTE: This Innovation Patent cannot be enforced unless and until it has been examined by the Commissioner of Patents and a Certificate of Examination has been issued. See sections 120(1A) and 129A of the Patents Act 1990, set out on the reverse of this document.



Dated this 5th day of May 2021

Commissioner of Patents

PATENTS ACT 1990

The Australian Patents Register is the official record and should be referred to for the full details pertaining to this IP Right.



Australian Government

IP Australia

CERTIFICATE OF GRANT INNOVATION PATENT

Patent number: 2021101577



Dated this 5th day of May 2021

Commissioner of Patents

PATENTS ACT 1990

The Australian Patents Register is the official record and should be referred to for the full details pertaining to this IP Right.



Office of the Controller General of Patents, Designs & Trade Marks
 Department of Industrial Policy & Promotion,
 Ministry of Commerce & Industry,
 Government of India

(<http://ipindia.nic.in/index.htm>)



(<http://ipindia.nic.in/index.htm>)

Application Details	
APPLICATION NUMBER	202021038984
APPLICATION TYPE	ORDINARY APPLICATION
DATE OF FILING	09/09/2020
APPLICANT NAME	1 . Kunal Paragbhai Shukla 2 . Shemal Vijaykumar Dave 3 . Dr. Ankur Chandrakant Bhogayata
TITLE OF INVENTION	DEVELOPMENT OF SUSTAINABLE LIGHTWEIGHT AGGREGATE GEOPOLYMER CONCRETE AT THE AMBIENT CURING TEMPERATURE
FIELD OF INVENTION	CHEMICAL
E-MAIL (As Per Record)	parthsejpal725@gmail.com
ADDITIONAL-EMAIL (As Per Record)	impetusservicesrajkot@gmail.com
E-MAIL (UPDATED Online)	
PRIORITY DATE	
REQUEST FOR EXAMINATION DATE	21/12/2020
PUBLICATION DATE (U/S 11A)	18/09/2020

FIRST EXAMINATION REPORT DATE	05/02/2021
Date Of Certificate Issue	11/05/2022
POST GRANT JOURNAL DATE	13/05/2022
REPLY TO FER DATE	02/08/2021

Application Status

APPLICATION STATUS

Granted Application, Patent Number :396605[E-Register](#)[Order\(s\)/Decision\(s\)](#)[View Documents](#)

➔ Filed ➔ Published ➔ RQ Filed ➔ Under Examination ➔ Disposed

In case of any discrepancy in status, kindly contact ipo-helpdesk@nic.in



सत्यमेव जयते

भारत सरकार
GOVERNMENT OF INDIA
पेटेंट कार्यालय
THE PATENT OFFICE

ORIGINAL


No. 95207

CERTIFICATE OF REGISTRATION OF DESIGN

Design No. 336655-001
Date 22/12/2020
Reciprocity Date*
Country

Certified that the design of which a copy is annexed hereto has been registered as of the number and date given above in class 10-04 in respect of the application of such design to FLEXURAL DISPLACEMENT MEASURING DEVICE in the name of 1. MARWADI UNIVERSITY, RAJKOT-MORBI HIGHWAY ROAD, GAURIDAD, RAJKOT, GUJARAT 360003 2. MR. RINKESH MAKWANA, M.E. CIVIL STUDENT, RAJKOT-MORBI HIGHWAY ROAD, GAURIDAD, RAJKOT, GUJARAT 360003 3. DR. ANKUR BHOGAYATA, HEAD, DEPARTMENT OF CIVIL ENGINEERING, FOE, RAJKOT-MORBI HIGHWAY ROAD, GAURIDAD, RAJKOT, GUJARAT 360003 4. PROF. NIKHIL CHOTAI, ASSISTANT PROFESSOR, MECHANICAL ENGINEERING, RAJKOT-MORBI HIGHWAY ROAD, GAURIDAD, RAJKOT, GUJARAT 360003

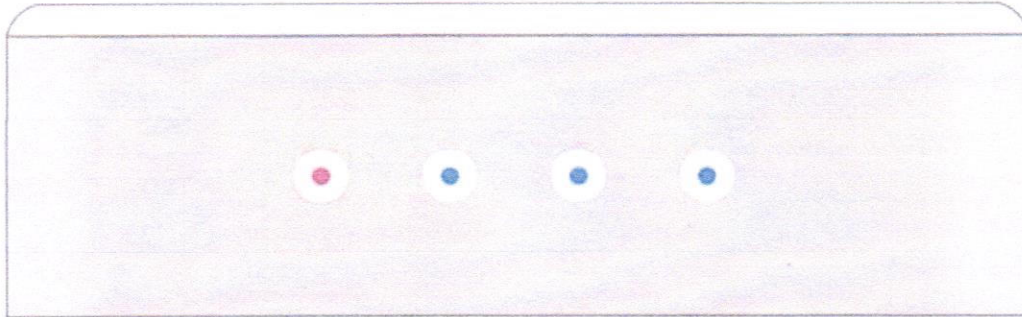
in pursuance of and subject to the provisions of the Designs Act, 2000 and the Designs Rules, 2001.


INTELLECTUAL
Controller General of Patents, Designs and Trade Marks
PROPERTY INDIA

*The reciprocity date (if any) which has been allowed and the name of the country.
Copyright in the design will subsist for ten years from the date of Registration, and may under the terms of the Act and Rules, be extended for a further period of five years.
This Certificate is not for use in legal proceedings or for obtaining registration abroad

MR. NARESH DILAWARSINH JADEJA (REGISTRAR),
MARWADI UNIVERSITY, RAJKOT-MORBI HIGHWAY
ROAD, GAURIDAD, RAJKOT, GUJARAT 360003 INDIA

Date of Issue 27/01/2021 17:05:25



FRONT VIEW

We Claim that:

The novelty resides in the shape and configuration of the “**FLEXURAL DISPLACEMENT MEASURING DEVICE**” as illustrated

No claim is made by virtue of this registration in respect of any mechanical or other action of any mechanism whatever or in respect of any mode or principle of construction of the Article

No claim is made by virtue of this registration to any right to the exclusive use of the words, letters, numbers, Color, or trademarks appearing in the representation.

Dated : 14 DEC 2020

For, (Applicant)

MARWADI UNIVERSITY

Naresh Dilawarsinh Jadeja | Registrar

Mr. Rinkesh Makwana

Dr. Ankur Bhogayata

Prof. Nikhil Chotai

nareshjadeja

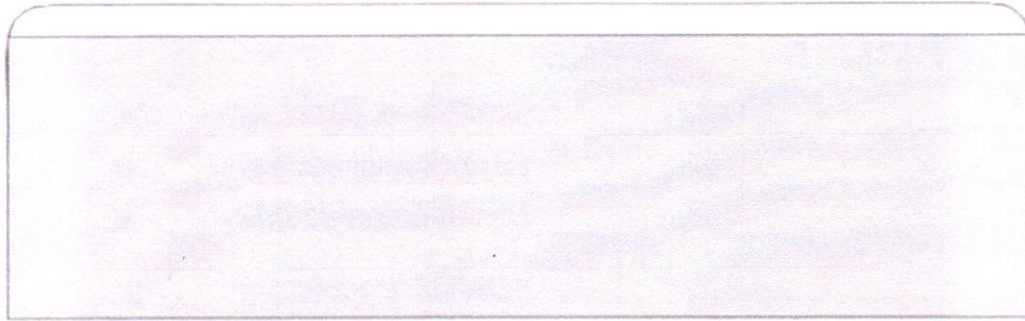
R.V.M.

abhogayata

A.

336655-001

22 DEC 2020



REAR VIEW

We Claim that:

The novelty resides in the shape and configuration of the **“FLEXURAL DISPLACEMENT MEASURING DEVICE”** as illustrated

No claim is made by virtue of this registration in respect of any mechanical or other action of any mechanism whatever or in respect of any mode or principle of construction of the Article

No claim is made by virtue of this registration to any right to the exclusive use of the words, letters, numbers, Color, or trademarks appearing in the representation.

Dated : _14_ DEC 2020

For, (Applicant)

MARWADI UNIVERSITY

Naresh Dilawarsinh Jadeja | Registrar

Mr. Rinkesh Makwana

Dr. Ankur Bhogayata

Prof. Nikhil Chotai

naresh

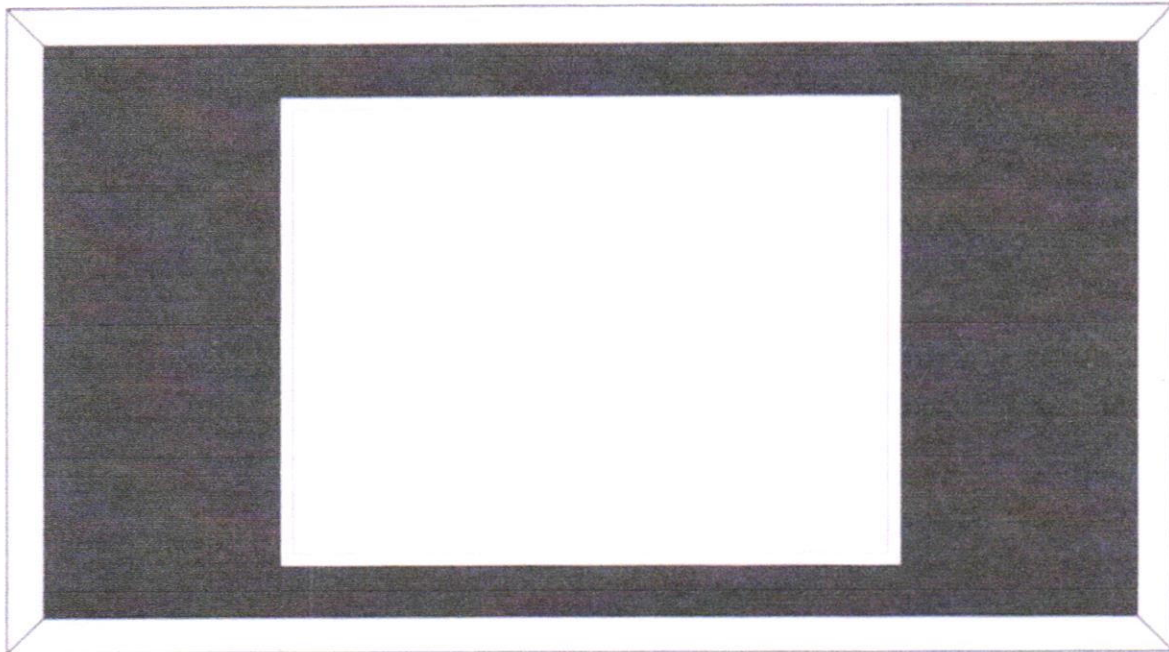
R.V.M.

abhogayata

A.

336655-001

22 DEC 2020



TOP VIEW

We Claim that:

The novelty resides in the shape and configuration of the **“FLEXURAL DISPLACEMENT MEASURING DEVICE”** as illustrated

No claim is made by virtue of this registration in respect of any mechanical or other action of any mechanism whatever or in respect of any mode or principle of construction of the Article

No claim is made by virtue of this registration to any right to the exclusive use of the words, letters, numbers, Color, or trademarks appearing in the representation.

Dated : 14 DEC 2020

For, (Applicant)

MARWADI UNIVERSITY

Naresh Dilawarsinh Jadeja | Registrar

Mr. Rinkesh Makwana

Dr. Ankur Bhogayata

Prof. Nikhil Chotai

naresh jadeja

R.V.M.

kbhogayata

A.

336855-001

27 DEC 2020



BOTTOM VIEW

We Claim that:

The novelty resides in the shape and configuration of the “**FLEXURAL DISPLACEMENT MEASURING DEVICE**” as illustrated

No claim is made by virtue of this registration in respect of any mechanical or other action of any mechanism whatever or in respect of any mode or principle of construction of the Article

No claim is made by virtue of this registration to any right to the exclusive use of the words, letters, numbers, Color, or trademarks appearing in the representation.

Dated :_14_ DEC 2020

For, (Applicant)

MARWADI UNIVERSITY

Naresh Dilawarsinh Jadeja | Registrar

Mr. Rinkesh Makwana

Dr. Ankur Bhogayata

Prof. Nikhil Chotai

nareshjadeja

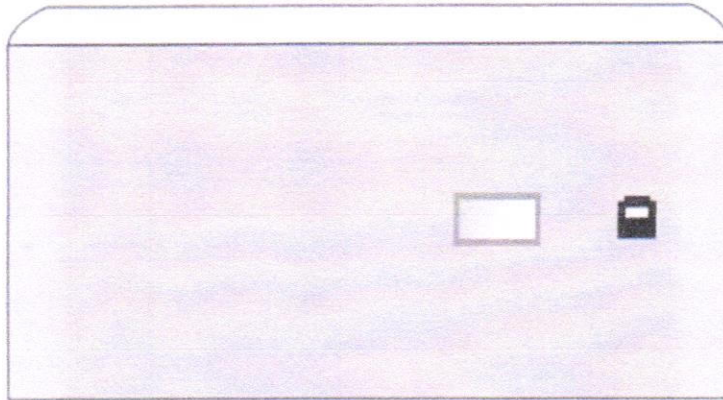
R.v.m.

kbhogayata

A.

336655 - 001

22 DEC 2020



LEFT VIEW

We Claim that:

The novelty resides in the shape and configuration of the “**FLEXURAL DISPLACEMENT MEASURING DEVICE**” as illustrated

No claim is made by virtue of this registration in respect of any mechanical or other action of any mechanism whatever or in respect of any mode or principle of construction of the Article

No claim is made by virtue of this registration to any right to the exclusive use of the words, letters, numbers, Color, or trademarks appearing in the representation.

Dated : 14 DEC 2020

For, (Applicant)

MARWADI UNIVERSITY

Naresh Dilawarsinh Jadeja | Registrar

Mr. Rinkesh Makwana

Dr. Ankur Bhogayata

Prof. Nikhil Chotai

nareshjadeja

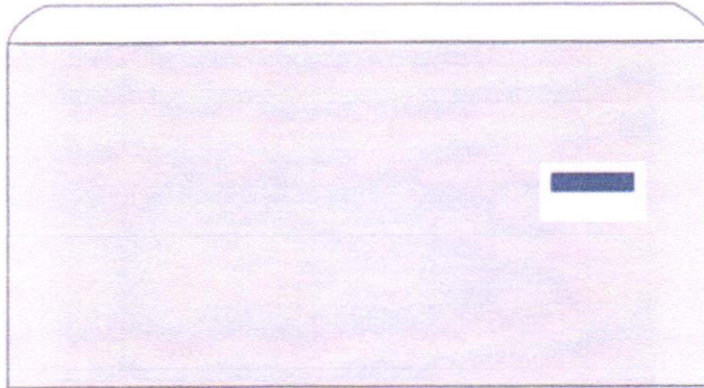
R.V.M.

abhogayata

A.

336655-001

22 DEC 2020



RIGHT VIEW

We Claim that:

The novelty resides in the shape and configuration of the **“FLEXURAL DISPLACEMENT MEASURING DEVICE”** as illustrated

No claim is made by virtue of this registration in respect of any mechanical or other action of any mechanism whatever or in respect of any mode or principle of construction of the Article

No claim is made by virtue of this registration to any right to the exclusive use of the words, letters, numbers, Color, or trademarks appearing in the representation.

Dated : 14 DEC 2020

For, (Applicant)

MARWADI UNIVERSITY

Naresh Dilawarsinh Jadeja | Registrar

Mr. Rinkesh Makwana

Dr. Ankur Bhogayata

Prof. Nikhil Chotai

Naresh Dilawarsinh Jadeja

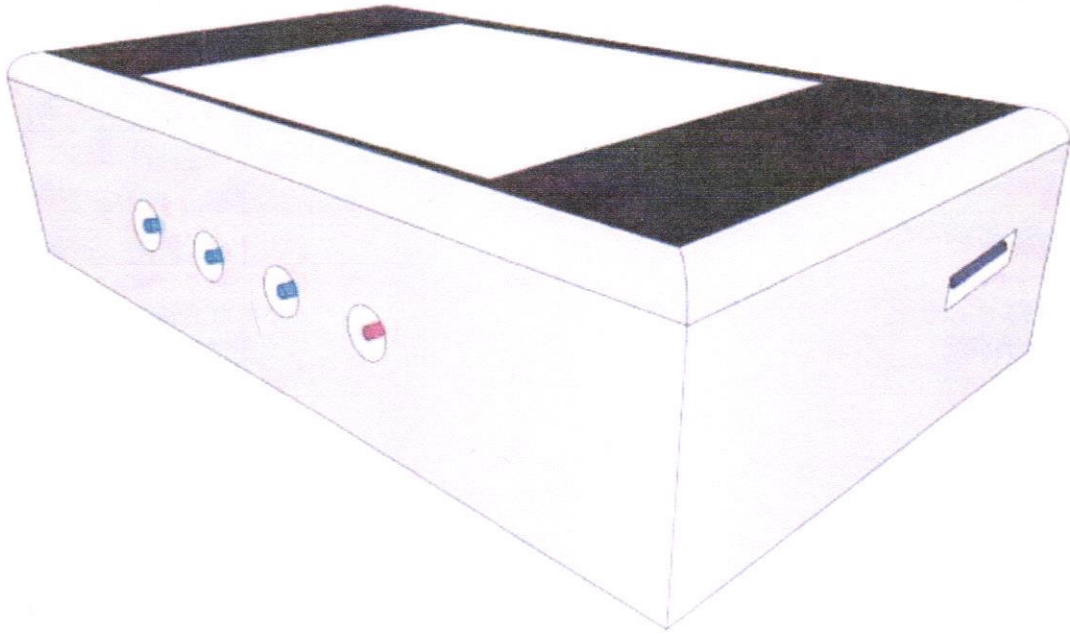
R.M.M.

Dr. Ankur Bhogayata

N. Chotai

336655.001

22 DEC 2020



PERSPECTIVE VIEW

We Claim that:

The novelty resides in the shape and configuration of the “**FLEXURAL DISPLACEMENT MEASURING DEVICE**” as illustrated

No claim is made by virtue of this registration in respect of any mechanical or other action of any mechanism whatever or in respect of any mode or principle of construction of the Article

No claim is made by virtue of this registration to any right to the exclusive use of the words, letters, numbers, Color, or trademarks appearing in the representation.

Dated : _14_ DEC 2020

For, (Applicant)

MARWADI UNIVERSITY

Naresh Dilawarsinh Jadeja | Registrar

336655 - 001

Mr. Rinkesh Makwana

22 DEC 2020

Dr. Ankur Bhogayata

Prof. Nikhil Chotai

nareshjadeja

R.M.K.

abhogayata

A.

Design Search Utility

Total Record Found:1

Filter text

349855-001

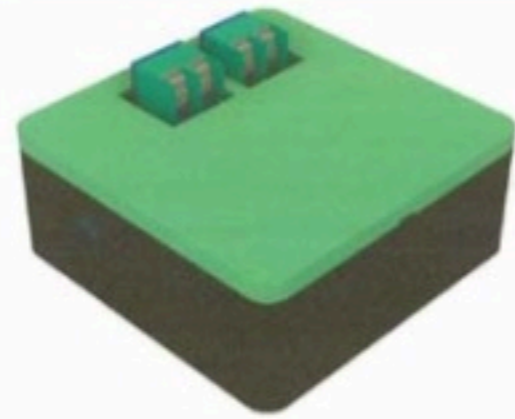
IoT Enabled Temperature Monitoring Device for Melting Furnace

349855-001

Back

Application Details

Design Application Details



Design Number:	349855-001
Filing Date:	20/09/2021 00:00:00
Article Name:	IoT Enabled Temperature Monitoring Device for Melting Furnace
Class:	15-01-ENGINES
Journal Number:	47/2021
Journal Date:	19/11/2021 00:00:00

Disclaimer: The information under Public Search for Designs applications is dynamically retrieved and is under testing therefore the information retrieved by this system is not valid for any legal proceedings under the Designs Act, 2000. At present, the Designs applications are available for search through this utility from the year 1997 (April) onwards except for the years 2005, 2006 & 2008 which will be made available soon. In case of any discrepancy you may contact the Designs Wing of the Patent Office, Kolkata or send your comments to following email ID:

Design Office, Kolkata : controllerdesign.ipo@nic.in
Controller General of Patents, Designs and Trademarks



Australian Government

IP Australia

CERTIFICATE OF GRANT INNOVATION PATENT

Patent number: 2020102648

The Commissioner of Patents has granted the above patent on 11 November 2020, and certifies that the below particulars have been registered in the Register of Patents.

Name and address of patentee(s):

MUKESH SONI of Assistant Professor, Department of Computer Engineering, Smt. S. R. Patel Engineering College Dabhi, Unjha Gujarat 384170 India

Gomathi S of Teaching Consultant, UK International Qualifications, Ltd, Accredited by Qualifi - Regulated by OfQual UK., Middle East, Asia & Africa Regional Office, Coimbatore, Tamil Nadu 641035 India

Senthil Kumar S of Assistant Executive Engineer, SLDC, TANTRANSOCO, TNEB Avenue Anna Salai, Chennai Tamil Nadu 600002 India

Santosh Kumar Nandlal Maheshwari of Director IT & Head of Department, Hansaba College of Engineering & Tech., Department of Computer Engineering Sidhpur, Patan District Gujarat 384265 India

Rashmi Rani Patro of Research Scholar, Department of Computer Science, Siksha 'O' Anusandhan Deemed to be University Bhubaneswar, Khurda 751019 India

Rojalini Patro of Lecturer in Department of Mathematics, NIIS Group of Institutions, Bhubaneswar, Khurda District, Patrapada Odisha 751019 India

Khushwant Singh of Research Scholar, University Institute of Engineering, and Technology Maharshi Dayanand University Rohtak, Haryana 124001 India

Munindra Lunagaria of Assistant professor, Computer Engineering Department, Marwadi University Rajkot-Morbi Road, Rajkot Gujarat 360003 India

Utkarsh Nigam of Assistant Professor, Department of Civil Engineering, L. D. College of Engineering Ahmadabad, Near Gujarat University Navrangpura Gujarat 380015 India

Title of invention:

Method for Energy Efficient Communication in Heterogeneous IoT Networks

Name of inventor(s):

SONI, MUKESH; S., Gomathi; S., Senthil Kumar; Nandlal Maheshwari, Santosh Kumar; Patro, Rashmi Rani; Patro, Rojalini; Singh, Khushwant; Lunagaria, Munindra and Nigam, Utkarsh

Term of Patent:

Eight years from 8 October 2020

NOTE: This Innovation Patent cannot be enforced unless and until it has been examined by the Commissioner of Patents and a Certificate of Examination has been issued. See sections 120(1A) and 129A of the Patents Act 1990, set out on the reverse of this document.



Dated this 11th day of November 2020

Commissioner of Patents

PATENTS ACT 1990

The Australian Patents Register is the official record and should be referred to for the full details pertaining to this IP Right.

Design Application Details

Application Number:	350111-001
Cbr Number:	207936
Cbr Date:	24/09/2021 15:27:52
Applicant Name:	<ol style="list-style-type: none">1. Udhyog 4.0 LLP2. Dr Amit V Sata3. Mr. Pinal Kantesariya4. Mr. Philip Gajera5. Mr Mahek Rathod6. Mr Kevin Virpariya

Design Application Status

Application Status:	Examination Report has been Generated ,Case is Waiting for Examination Report Reply (FER generated on 29/10/2021)
----------------------------	---

[Back](#)

Disclaimer: Application status is available for the application filed on or after 1st April 2009 with application no 222230. The information under " Design Application Status" is dynamically retrieved and is under testing, therefore the information retrieved by this system is not valid for any legal proceedings under the Design Act 2000. In case of any discrepancy you may contact the appropriate Patent Office or send your comments to following email IDs:

Design Office, Kolkata : controllerdesign.ipo@nic.in
Controller General of Patents, Designs and Trademarks



Office of the Controller General of Patents, Designs & Trade Marks
 Department of Industrial Policy & Promotion,
 Ministry of Commerce & Industry,
 Government of India

(<http://ipindia.nic.in/index.htm>)



(<http://ipindia.nic.in/index.htm>)

Application Details

APPLICATION NUMBER	202021022755
APPLICATION TYPE	ORDINARY APPLICATION
DATE OF FILING	30/05/2020
APPLICANT NAME	Vora Tarak Prafulkumar
TITLE OF INVENTION	STOP BASED APPROACH FOR GENERATING SHEAR FORCE DIAGRAM OF BEAMS
FIELD OF INVENTION	COMPUTER SCIENCE
E-MAIL (As Per Record)	vora.tarak@gmail.com
ADDITIONAL-EMAIL (As Per Record)	vora.tarak@gmail.com
E-MAIL (UPDATED Online)	
PRIORITY DATE	
REQUEST FOR EXAMINATION DATE	--
PUBLICATION DATE (U/S 11A)	25/02/2022

Application Status

APPLICATION STATUS

Awaiting Request for Examination

[View Documents](#)

➔ Filed ➔ Published ➔ RQ Filed ➔ Under Examination ➔ Disposed

In case of any discrepancy in status, kindly contact ipo-helpdesk@nic.in